

[IC information]

Manufacture	NXP Semiconductors
Series/Product	-
Type/Device Code	SAF400eEL/101

[Specification of Resonator]

Model	DSX211G
Nominal Frequency	55.46667MHz
Load Capacitance	9.0pF
Series Resistance	30Ω max.

[Measurement Results]

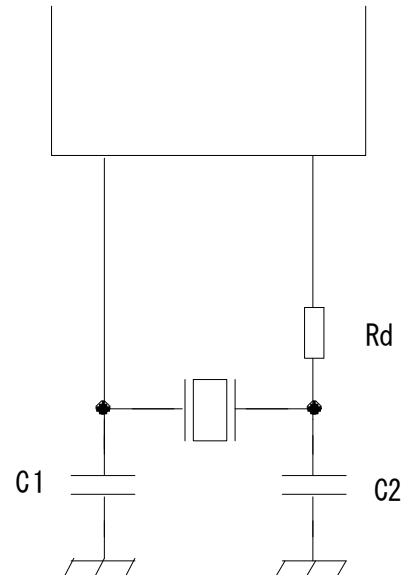
Rd=0Ω, C1=10pF, C2=10pF

Negative Resistance	-470Ω
Drive Level	76μW
Frequency Deviation	+8ppm

Measurement Results are for Reference only.
Therefore, it is necessary to conduct a survey on your board.
If you have any questions about circuit survey, please contact us
by the following e-mail.

circuitanalysis797@kds.info

[Oscillation Diagram]



[IC information]

Manufacture	NXP Semiconductors
Series/Product	-
Type/Device Code	SAF400eEL/101

[Specification of Resonator]

Model	DSX321G
Nominal Frequency	55.46667MHz
Load Capacitance	9.0pF
Series Resistance	30Ω max.

[Measurement Results]

Rd=0Ω, C1=10pF, C2=10pF

Negative Resistance	-470Ω
Drive Level	73μW
Frequency Deviation	+8ppm

Measurement Results are for Reference only.
Therefore, it is necessary to conduct a survey on your board.
If you have any questions about circuit survey, please contact us
by the following e-mail.

circuitanalysis797@kds.info

[Oscillation Diagram]

