

[IC information]

Manufacture	Infineon Technologies AG
Series/Product	-
Type/Device Code	SAK-TC4xx

[Specification of Resonator]

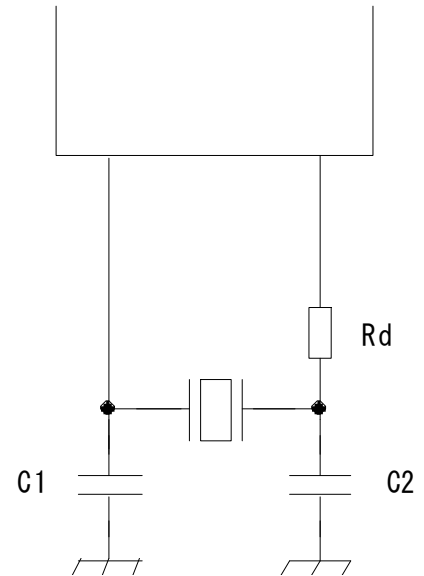
Model	DSX210GE
Nominal Frequency	20.000MHz
Load Capacitance	8.0pF
Series Resistance	200Ω max

[Measurement Results]

Rd=150Ω, C1=OPEN, C2=OPEN

Negative Resistance	-4700Ω
Drive Level	89μW
Frequency Deviation	-4ppm

[Oscillation Diagram]



Measurement Results are for Reference only.

Therefore, it is necessary to conduct a survey on your board.

If you have any questions about circuit survey, please contact us by the following e-mail.

circuitanalysis797@kds.info

[IC information]

Manufacture	Infineon Technologies AG
Series/Product	-
Type/Device Code	SAK-TC4xx

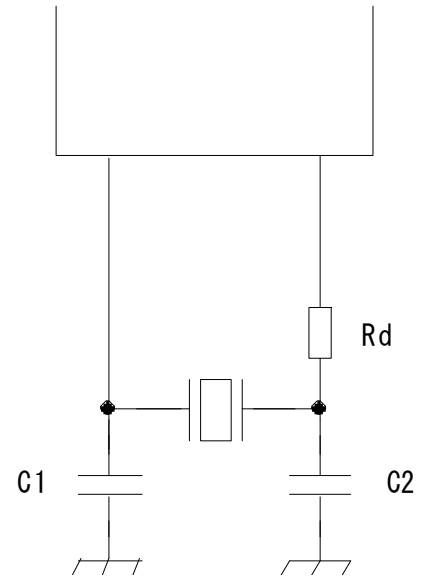
[Specification of Resonator]

Model	DSX320GE
Nominal Frequency	20.000MHz
Load Capacitance	8.0pF
Series Resistance	120Ω max

[Measurement Results]

Rd=0Ω, C1=OPEN, C2=OPEN

Negative Resistance	-4700Ω
Drive Level	118μW
Frequency Deviation	-12ppm

[Oscillation Diagram]

Measurement Results are for Reference only.

Therefore, it is necessary to conduct a survey on your board.

If you have any questions about circuit survey, please contact us by the following e-mail.

circuitanalysis797@kds.info