

[IC information]

| | |
|------------------|--------------------------|
| Manufacture | Infineon Technologies AG |
| Series/Product | - |
| Type/Device Code | SAK-TC4xx |

[Specification of Resonator]

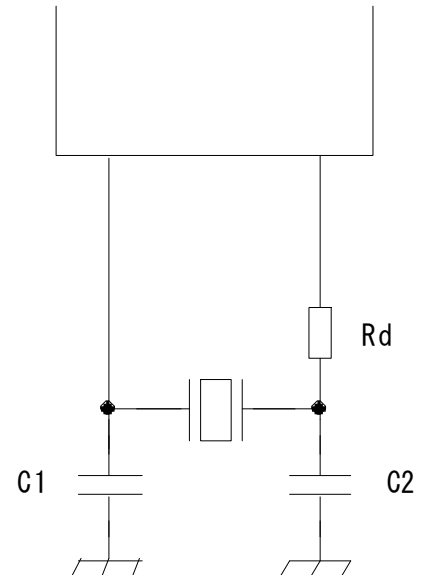
| | |
|-------------------|-----------|
| Model | DSX210GE |
| Nominal Frequency | 25.000MHz |
| Load Capacitance | 8.0pF |
| Series Resistance | 150Ω max. |

[Measurement Results]

Rd=100Ω, C1=OPEN, C2=OPEN

| | |
|---------------------|--------|
| Negative Resistance | -3300Ω |
| Drive Level | 85μW |
| Frequency Deviation | -4ppm |

[Oscillation Diagram]



Measurement Results are for Reference only.

Therefore, it is necessary to conduct a survey on your board.

If you have any questions about circuit survey, please contact us by the following e-mail.

circuitanalysis797@kds.info

[IC information]

| | |
|------------------|--------------------------|
| Manufacture | Infineon Technologies AG |
| Series/Product | - |
| Type/Device Code | SAK-TC4xx |

[Specification of Resonator]

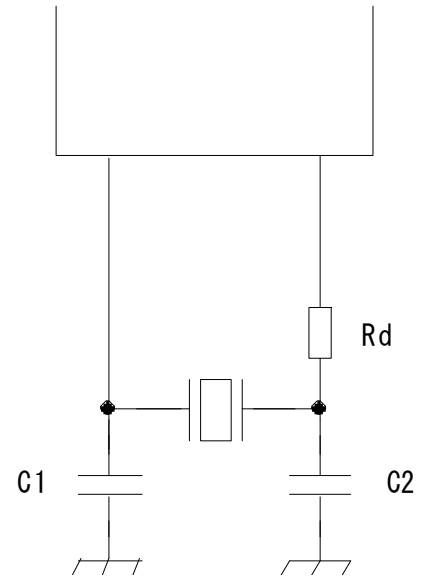
| | |
|-------------------|-----------|
| Model | DSX320GE |
| Nominal Frequency | 25.000MHz |
| Load Capacitance | 8.0pF |
| Series Resistance | 120Ω max. |

[Measurement Results]

Rd=0Ω, C1=OPEN, C2=OPEN

| | |
|---------------------|--------|
| Negative Resistance | -3300Ω |
| Drive Level | 121μW |
| Frequency Deviation | -21ppm |

[Oscillation Diagram]



Measurement Results are for Reference only.

Therefore, it is necessary to conduct a survey on your board.

If you have any questions about circuit survey, please contact us by the following e-mail.

circuitanalysis797@kds.info