

[IC information]

Manufacture	Infineon Technologies AG
Series/Product	-
Type/Device Code	SAK-TC4xx

[Specification of Resonator]

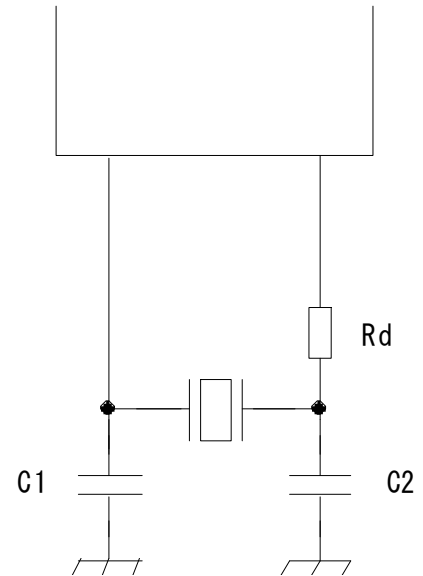
Model	DST1610A
Nominal Frequency	32.768kHz
Load Capacitance	7.0pF
Series Resistance	120kΩ max.

[Measurement Results]

Rd=0Ω, C1=8pF, C2=8pF

Negative Resistance	-1200kΩ
Drive Level	0.2μW
Frequency Deviation	+24ppm

[Oscillation Diagram]



Measurement Results are for Reference only.

Therefore, it is necessary to conduct a survey on your board.

If you have any questions about circuit survey, please contact us by the following e-mail.

circuitanalysis797@kds.info

[IC information]

Manufacture	Infineon Technologies AG
Series/Product	-
Type/Device Code	SAK-TC4xx

[Specification of Resonator]

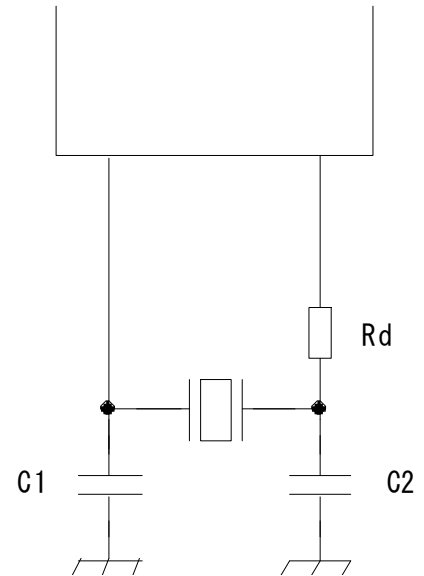
Model	DST310S
Nominal Frequency	32.768kHz
Load Capacitance	7.0pF
Series Resistance	80k Ω max.

[Measurement Results]

Rd=0 Ω , C1=8pF, C2=8pF

Negative Resistance	-1500k Ω
Drive Level	0.2 μ W
Frequency Deviation	-5ppm

[Oscillation Diagram]



Measurement Results are for Reference only.

Therefore, it is necessary to conduct a survey on your board.

If you have any questions about circuit survey, please contact us by the following e-mail.

circuitanalysis797@kds.info