

[IC information]

Manufacture	Infineon Technologies AG
Series/Product	-
Type/Device Code	SAK-TC4xx

[Specification of Resonator]

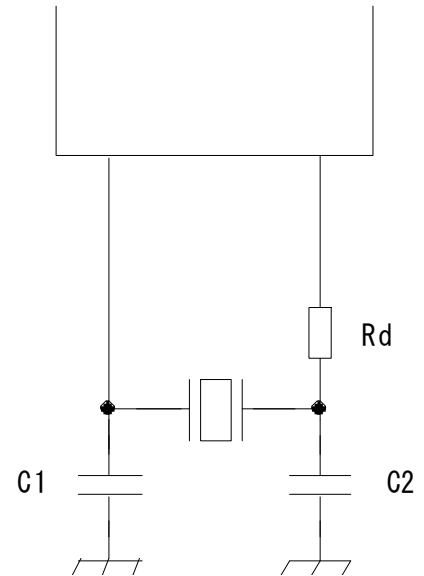
Model	DSX210GE
Nominal Frequency	50.000MHz
Load Capacitance	8.0pF
Series Resistance	80Ω max.

[Measurement Results]

Rd=100Ω, C1=OPEN, C2=OPEN

Negative Resistance	-560Ω
Drive Level	63μW
Frequency Deviation	-23ppm

[Oscillation Diagram]



Measurement Results are for Reference only.

Therefore, it is necessary to conduct a survey on your board.

If you have any questions about circuit survey, please contact us by the following e-mail.

circuitanalysis797@kds.info

[IC information]

Manufacture	Infineon Technologies AG
Series/Product	-
Type/Device Code	SAK-TC4xx

[Specification of Resonator]

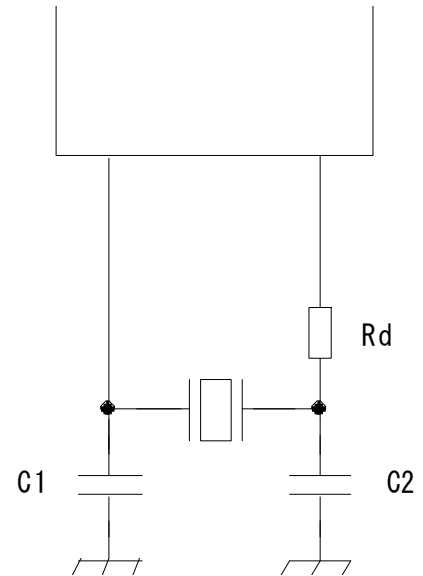
Model	DSX320GE
Nominal Frequency	50.000MHz
Load Capacitance	8.0pF
Series Resistance	80Ω max.

[Measurement Results]

Rd=0Ω, C1=OPEN, C2=OPEN

Negative Resistance	-750Ω
Drive Level	174μW
Frequency Deviation	-23ppm

[Oscillation Diagram]



Measurement Results are for Reference only.

Therefore, it is necessary to conduct a survey on your board.

If you have any questions about circuit survey, please contact us by the following e-mail.

circuitanalysis797@kds.info