

[IC information]

Manufacture	Socionext
Series/Product	SC0T53
Type/Device Code	SC0T53A

[Specification of Resonator]

Model	DSX1612S
Nominal Frequency	27.000MHz
Load Capacitance	8.0pF
Series Resistance	100Ω max.

[Measurement Results]

Rd=1.5kΩ, C1=8pF, C2=8pF

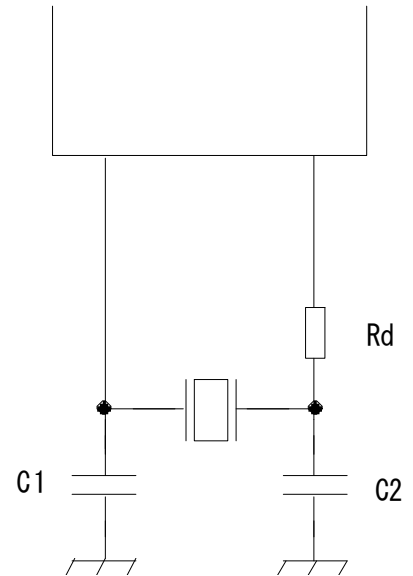
Negative Resistance	-1000Ω
Drive Level	42μW
Frequency Deviation	+19ppm

Measurement Results are for Reference only.

If you have any questions about circuit survey, please contact us by the following e-mail.

circuitanalysis797@kds.info

[Oscillation Diagram]



[IC information]

Manufacture	Socionext
Series/Product	SC0T53
Type/Device Code	SC0T53A

[Specification of Resonator]

Model	DSX211G
Nominal Frequency	27.000MHz
Load Capacitance	6.0pF
Series Resistance	150Ω max.

[Measurement Results]

Rd=1.5kΩ, C1=8pF, C2=8pF

Negative Resistance	-910Ω
Drive Level	54μW
Frequency Deviation	+1ppm

Measurement Results are for Reference only.
Therefore, it is necessary to conduct a survey on your board.
If you have any questions about circuit survey, please contact us
by the following e-mail.

circuitanalysis797@kds.info

[Oscillation Diagram]

