

**[IC情報]**

メーカー名	Socionext
シリーズ名/プロダクト	SC0T53
型名/デバイスコード	SC0T53A

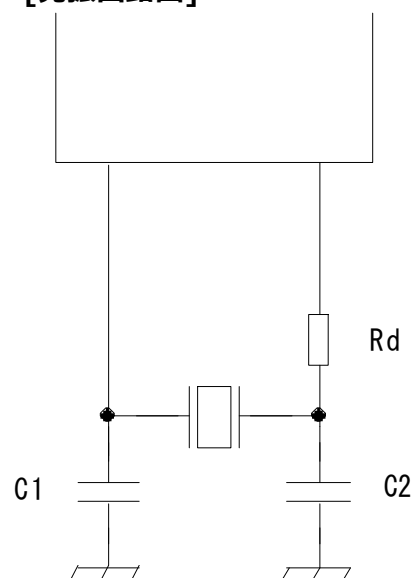
**[水晶振動子の仕様]**

型名	DSX1008JS
公称周波数	54.000MHz
負荷容量	8.0pF
直列抵抗	60Ω max.

**[調査結果]**

Rd=1.0kΩ, C1=6pF, C2=6pF

負性抵抗	-330Ω
励振レベル	84μW
発振周波数偏差	+35ppm

**[発振回路図]**

調査結果は参考値となります。

貴社 実基板での調査が必要となりますのでご依頼の際は当社営業担当まで申し付け願います。

回路調査に関するご質問は以下メールアドレスにお問い合わせ願います。

[circuitanalysis797@kds.info](mailto:circuitanalysis797@kds.info)

### [IC information]

Manufacture	Socionext
Series/Product	SC0T53
Type/Device Code	SC0T53A

### [Specification of Resonator]

Model	DSX1612S
Nominal Frequency	54.000MHz
Load Capacitance	5.2pF
Series Resistance	50Ω max.

### [Measurement Results]

Rd=680Ω, C1=6pF, C2=6pF

Negative Resistance	-510Ω
Drive Level	87μW
Frequency Deviation	+4ppm

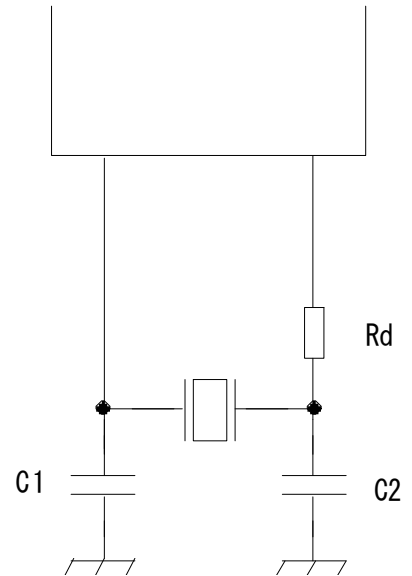
Measurement Results are for Reference only.

Therefore, it is necessary to conduct a survey on your board.

If you have any questions about circuit survey, please contact us by the following e-mail.

[circuitanalysis797@kds.info](mailto:circuitanalysis797@kds.info)

### [Oscillation Diagram]



### [IC information]

Manufacture	Socionext
Series/Product	SC0T53
Type/Device Code	SC0T53A

### [Specification of Resonator]

Model	DSX211G
Nominal Frequency	54.000MHz
Load Capacitance	5.2pF
Series Resistance	80Ω max.

### [Measurement Results]

Rd=680Ω, C1=6pF, C2=6pF

Negative Resistance	-470Ω
Drive Level	112μW
Frequency Deviation	+2ppm

Measurement Results are for Reference only.  
Therefore, it is necessary to conduct a survey on your board.  
If you have any questions about circuit survey, please contact us  
by the following e-mail.

[circuitanalysis797@kds.info](mailto:circuitanalysis797@kds.info)

### [Oscillation Diagram]

