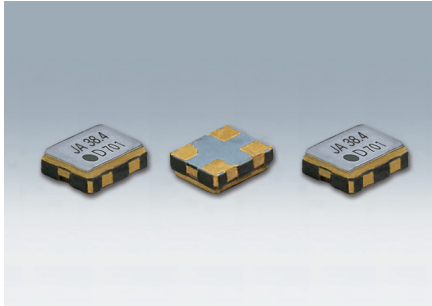


SMD TCXO

DSB211SJA



Actual size

Features

- Capable of operating over a wide temperature range, from -40 to +105°C
- Supply voltage from +1.7 up to +3.6V
- CMOS Level Output
- Low phase noise
- Single package structure
- AEC-Q100/AEC-Q200 Compliant

Applications

- WiLAN, WiMAX, Smart Grid, visual applications and industrial radio communications



Standard Specification

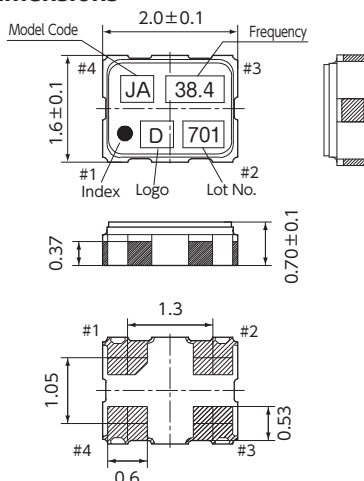
Item	Type	DSB211SJA
Frequency Range		13 to 52MHz
Standard Frequency		19.2MHz/ 25MHz/ 26MHz/ 32MHz/ 38.4MHz/ 40MHz/ 48MHz/ 52MHz
Supply Voltage (Vcc)		+1.8V/ +2.5V/ +2.8V/ +3.3V
Current Consumption		5.0mA max. [No Load]
Stand-by Current (#1 pin "L" Level)		+10μA max.
Frequency Stability Tolerance		±1.5×10 ⁻⁶ max.(After 2 reflows)
vs. Temperature		±2.5×10 ⁻⁶ max./ -40 to +85°C ±5.0×10 ⁻⁶ max./ -40 to +105°C
vs. Aging		±20×10 ⁻⁶ max./ -40 to +125°C (Option) ±1.0×10 ⁻⁶ max./year
Symmetry		45 to 55% (50% Vcc Level)
0 Level Output Voltage		Vcc×0.1V
1 Level Output Voltage		Vcc×0.9V
Output Load		15pF
Rise and Fall Time		5ns max.(10% to 90% Vcc Level)
OE Pin 0 Level Input Voltage		Vcc×0.2V
OE Pin 1 Level Input Voltage		Vcc×0.8V
Start Up Time		3.0ms max.
Output Enable Time		3.0ms max.
Output Disable Time		150ns max.
Start Up Time		[f ≤ 26MHz] [26MHz < f ≤ 52MHz]
Offset 1kHz		-145dBc/Hz -141dBc/Hz
Offset 100kHz		-158dBc/Hz -157dBc/Hz
Packing Unit (1)		3000pcs./reel (φ 180)

(1) Moisture prevention packing is unnecessary.
Moisture Sensitivity Level : LEVEL 1 (IPC/JEDEC J-STD-033)

Consult our sales representative for other specifications.

[mm]

Dimensions



Pin Connections

Pin No.	Connection
#1	OE (Output Enable)
#2	GND
#3	Output
#4	Vcc

Function

#1 Input	#3 Output condition
H	Oscillation out
L	High Z

Recommended Land Pattern

<Top View>

