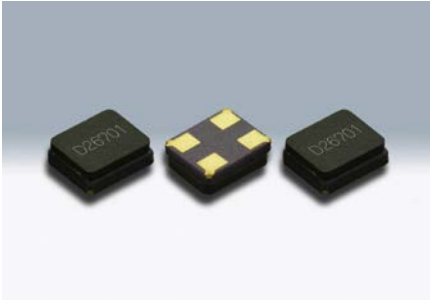


# SMD Crystal Resonators / MHz Band Crystal Resonators

## DSX211G (for industrial equipment)



Actual size □

### ■ Features

- 2016 size miniature and lightweight  
SMD crystal resonator with a low profile of 0.65mm.
- High precision and high reliability
- Offers a wide range of frequencies from 20MHz up to 64MHz.
- Utilizing vacuum glass sealing, lower ESR equivalent to that in alloy/seam weld sealing is optionally available.
- AEC-Q200 Compliant



### ■ Applications

- Industrial equipment
- Telecommunication products and other small devices such as DVC, DSC, PC, USB.
- Automotive applications such as multimedia devices (AEC-Q200 Compliant)

### ■ Standard Specification

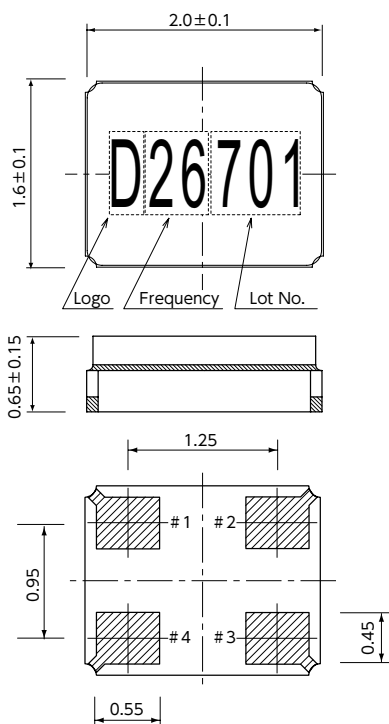
Item	Type	DSX211G			
		20 to 24MHz	24 to 30MHz	30 to 36MHz	36 to 64MHz
Frequency Range		20 to 24MHz	24 to 30MHz	30 to 36MHz	36 to 64MHz
Overtone Order		Fundamental			
Load Capacitance		8pF, 10pF, 12pF			
Drive Level		10μW (100μW max.)			
Frequency Tolerance		±20×10 <sup>-6</sup> (at 25°C)			
Series Resistance(Inside Atmosphere:nitrogen)		200Ω max.	150Ω max.	120Ω max.	80Ω max.
Series Resistance(Inside Atmosphere:vacuum)		150Ω max.	100Ω max.		60Ω max.
Frequency Characteristics over Temperature		±50×10 <sup>-6</sup> / -40 to +105°C (Ref. to 25°C)			
Storage Temperature Range		-40 to +105°C			
Packing Unit (1)		3000pcs./reel (φ180)			

(1) Moisture prevention packing is unnecessary.  
Moisture Sensitivity Level:LEVEL1 (IPC/JEDEC J-STD-033)

Consult our sales representative for other specifications.

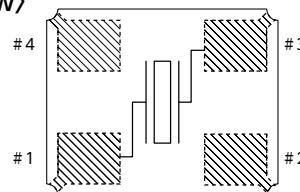
[mm]

### ■ Dimensions



### ■ Internal Connections

〈Top View〉



#1 & #3 connected to quartz element  
#2 & #4 GND connected or N.C. available

### ■ Recommended Land Pattern

〈Top View〉

