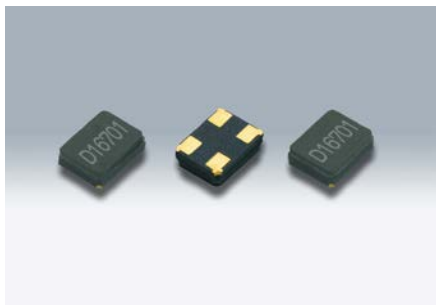


SMD Crystal Resonators / MHz Band Crystal Resonators (For Automotive)

DSX221G



Actual size

■ Features

- 2520 size miniature and lightweight SMD crystal resonator with a low profile of 0.75mm.
- Excellent heat resistance, High precision and high reliability
- Offers a wide range of frequencies from a comparatively low 12MHz up to 64MHz.
- AEC-Q200 Compliant

■ Applications

- Automotive radio applications such as Bluetooth, wireless LAN, GPS/GNSS.
- RKE (Remote Keyless Entry), safety controls and multimedia devices



■ Standard Specification

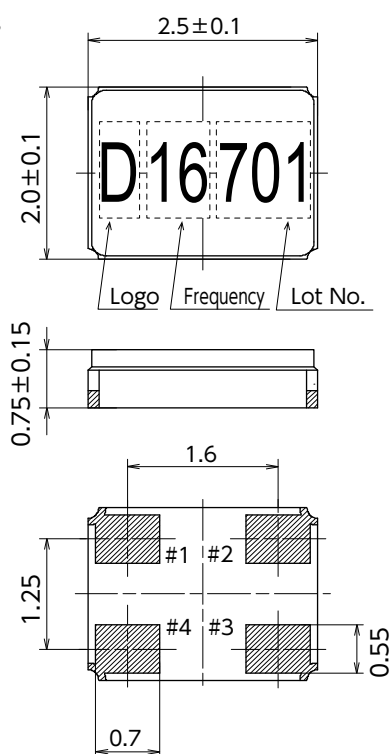
Item	Type	DSX221G				
		12 to 13MHz	13 to 16MHz	16 to 20MHz	20 to 27MHz	27 to 64MHz
Frequency Range		12 to 13MHz	13 to 16MHz	16 to 20MHz	20 to 27MHz	27 to 64MHz
Overtone Order		Fundamental				
Load Capacitance		8pF, 10pF, 12pF				
Drive Level		10 μW (200 μW max.)				
Frequency Tolerance		±30×10 ⁻⁶ (at 25°C)				
Series Resistance		300Ω max.	200Ω max.	150Ω max.	120Ω max.	100Ω max.
Frequency Characteristics over Temperature		±100×10 ⁻⁶ /-40 to +125°C (Ref. to 25°C)				
Storage Temperature Range		-40 to 150°C				
Reliability		AEC-Q200				
Packing Unit (1)		3000pcs./reel(φ180)				

(1) Moisture prevention packing is unnecessary.
Moisture Sensitivity Level: LEVEL1 (IPC/JEDEC J-STD-033)

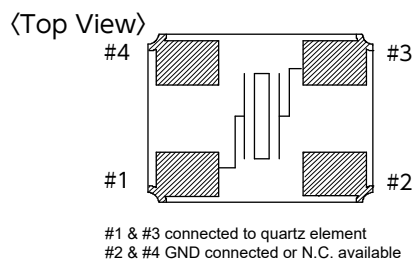
Consult our sales representative for other specifications.

[mm]

■ Dimensions



■ Internal Connections



■ Recommended Land Pattern

