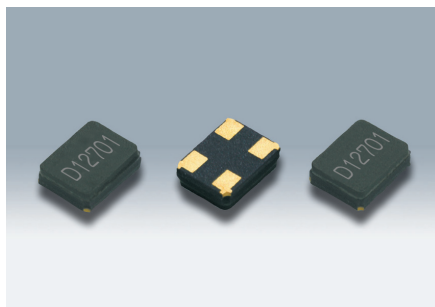


SMD Crystal Resonators / MHz Band Crystal Resonators

DSX221G



Actual size

Features

- 2520 size miniature and lightweight SMD crystal resonator with a low profile of 0.75mm.
- Excellent heat resistance, High precision and high reliability (Frequency aging specification of $\pm 1 \times 10^{-6}$ /1 year or $\pm 3 \times 10^{-6}$ /5 years is available for cell phone or wireless communication systems etc.)
- Offers a wide range of frequencies from 12MHz up to 64MHz. Moisture prevention packing is unnecessary.
- Moisture Sensitivity Level: LEVEL 1 (IPC/JEDEC J-STD-033)
- AEC-Q200 Compliant
- Frequency Characteristics over Temperature $\pm 50 \times 10^{-6}$ / -40 to +105°C is available for Industrial Equipment.



Applications

- Telecommunication products and other small devices such as DVC, DSC, PC, USB.
- Automotive applications such as RKE (Remote Keyless Entry), safety controls and multimedia devices (AEC-Q200 Compliant)
- Industrial equipment

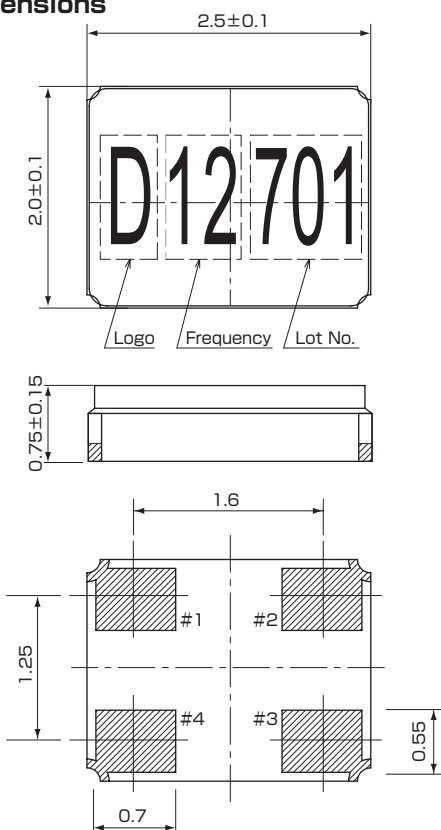
Standard Specification

Item	Type	DSX221G				
		12 to 13MHz	13 to 16MHz	16 to 20MHz	20 to 27MHz	27 to 64MHz
Frequency Range		12 to 13MHz	13 to 16MHz	16 to 20MHz	20 to 27MHz	27 to 64MHz
Overtone Order		Fundamental				
Load Capacitance		8pF, 10pF, 12pF				
Drive Level		10μW (200μW max.)				
Frequency Tolerance		$\pm 20 \times 10^{-6}$ (at 25°C)				
Series Resistance		250Ω max.	150Ω max.	100Ω max.	80Ω max.	60Ω max.
Frequency Characteristics over Temperature		$\pm 30 \times 10^{-6}$ / -30 to +85°C (Ref. to 25°C)				
Storage Temperature Range		-40 to +85°C				
Packing Unit		3000pcs./reel (φ180)				

Consult our sales representative for other specifications.

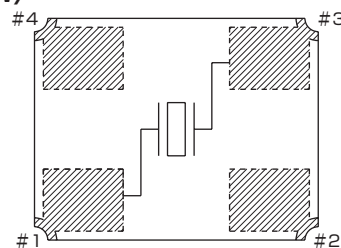
[mm]

Dimensions



Internal Connections

<Top View>



#1 & #3 connected to quartz element
#2 & #4 open (unconnected)

Recommended Land Pattern

<Top View>

