

# SMD Crystal Resonators / MHz Band Crystal Resonators (For Automotive)

## SMD-49



Actual size

### ■ Features

- Capable of operating over a wide temperature range, from -40 to +125°C.
- Offers high reliability such as excellent shock and vibration resistance as well as excellent frequency stability.
- Automatic mounting and reflow soldering applicable.
- AEC-Q200 Compliant
- Pb free
- RoHS/ELV Compliant



### ■ Standard Specification

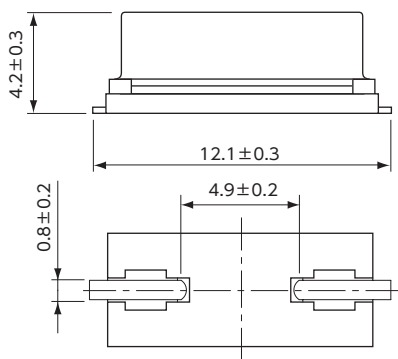
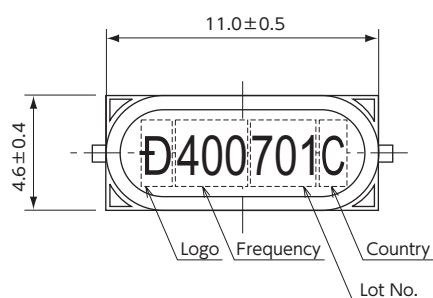
Item	Type	SMD-49	
Frequency Range		4MHz	8MHz
Overtone Order		Fundamental	
Load Capacitance		8pF, 10pF, 12pF	
Drive Level		10μW (300μW max.)	
Frequency Tolerance		±30×10 <sup>-6</sup> ( at 25°C )	
Series Resistance		120Ω max.	60Ω max.
Frequency Characteristics over Temperature		±100×10 <sup>-6</sup> / -40 to +125°C	
Storage Temperature Range		-40 to +150°C	
Reliability		AEC-Q200	
Packing Unit (1)		1000pcs./reel (φ330)	

(1) Moisture prevention packing is unnecessary.  
Moisture Sensitivity Level:Level 1 (IPC/JEDEC J-STD-033)

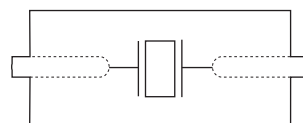
Consult our sales representative for other specifications.

[mm]

### ■ Dimensions



### ■ Internal Connections (Top View)



### ■ Recommended Land Pattern (Top View)

