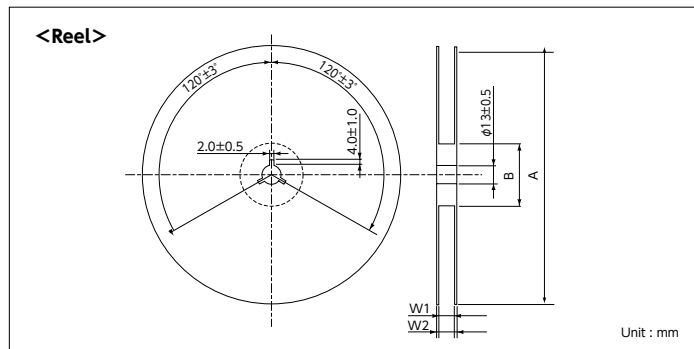
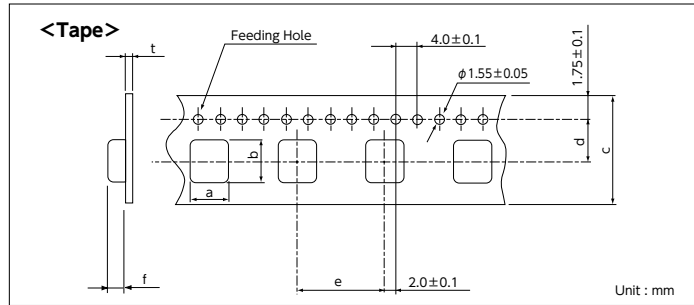


Emboss Carrier Tape (SMD Crystal Oscillators)



Standard Specification

VC-TCXO/TCXO

TYPE	a	b	c	d	e	f	t	A	B	W1	W2
DSA/DSB535SC DSA/DSB535SD DSA/DSB535SG	3.5 ±0.1	5.4 ±0.1	12.0 ±0.2	5.50 ±0.1	8.0 ±0.1	1.7 ±0.1	0.30 ±0.05	φ330 ±2	φ100 ±1	13.5 ±1.0	18.5 max.
DSA/DSB321SDN DSB321SDNB/SLB DSK321STD	2.8 ±0.1	3.5 ±0.1	8.0 ±0.2	3.50 ±0.05	4.0 ±0.1	1.5 ±0.1	0.25 ±0.05	φ180 +0/-3	φ60 +1/-0	9.0 ±0.3	11.4 ±1.0
DSA/DSB222MAA DSA/DSB222MAB DSA/DSB221SDN/SP DSB221SDNB/SLB	2.3 ±0.1	2.8 ±0.1	8.0 ±0.2	3.50 ±0.05	4.0 ±0.1	1.15 ±0.1	0.30 ±0.05	φ180 +0/-3	φ60 +1/-0	9.0 ±0.3	11.4 ±1.0
DSA/DSB211SDN/SP DSB211SDNB/SLB/SJA	1.95 ±0.10	2.35 ±0.10	8.0 ±0.2	3.50 ±0.05	4.0 ±0.1	0.85 ±0.1	0.20 ±0.05	φ180 +0/-3	φ60 +1/-0	9.0 ±0.3	11.4 ±1.0
DSA/DSB1612SDN DSB1612SDNB DSB1612WA	1.45 ±0.10	1.85 ±0.10	8.0 ±0.2	3.50 ±0.05	4.0 ±0.1	0.8 ±0.1	0.20 ±0.05	φ180 +0/-3	φ60 +1/-0	9.0 ±0.3	11.4 ±1.0

SPXO/VCXO/RTC

TYPE	a	b	c	d	e	f	t	A	B	W1	W2
DSO751SR DSO751SBM/SBN/SVN DSO753SK/SJ/SD DSV753SV/SB/SK/SJ/SD	5.5 ±0.1	7.9 ±0.1	16.0 ±0.3	7.5 ±0.1	8.0 ±0.1	2.4 ±0.1	0.30 ±0.05	φ254 ±2	φ80 ±0.5	17.0 ±0.5	21.0 ±1.0
DSO753HV/HK/HJ DSV753HV/HK/HJ/CK/CJ	5.5 ±0.1	7.9 ±0.1	16.0 ±0.3	7.5 ±0.1	8.0 ±0.1	2.4 ±0.1	0.30 ±0.05	φ180 +0/-3	φ60 +1/-0	17.0 ±0.5	21.0 ±1.0
DSO531SR DSO531SB/SBN/SVN DSO533SK/SJ DSV531SV/SB DSV532SV/SB	3.6 ±0.1	5.45 ±0.1	12.0 ±0.2	5.50 ±0.05	8.0 ±0.1	1.55 ±0.10	0.30 ±0.05	φ180 +0/-3	φ60 +1/-0	13.0 ±0.3	15.4 ±1.0
DSO323SK/SJ/SD DSO321SR/SH/SN/SY DSO321SBM/SBN/SVN DSV323SV/SK/SJ/SD DSV321SV/SR DSK324SR	2.8 ±0.1	3.5 ±0.1	8.0 ±0.2	3.50 ±0.05	4.0 ±0.1	1.5 ±0.1	0.25 ±0.05	φ180 +0/-3	φ60 +1/-0	9.0 ±0.3	11.4 ±1.0
DSO221SR/SH/SN/SHF/SY/SX/SXF DSO221SBM/SBN/SVN DSO223SK/SJ/SD DSV221SV	2.3 ±0.1	2.8 ±0.1	8.0 ±0.2	3.50 ±0.05	4.0 ±0.1	1.15 ±0.10	0.30 ±0.05	φ180 +0/-3	φ60 +1/-0	9.0 ±0.3	11.4 ±1.0
DSO211AH/AR/AN/AB/SX/SXF DSV211AV	1.85 ±0.10	2.25 ±0.10	8.0 ±0.2	3.50 ±0.05	4.0 ±0.1	0.95 ±0.10	0.25 ±0.05	φ180 +0/-3	φ60 +1/-0	9.0 ±0.3	11.4 ±1.0
DSO1612AR	1.4 ±0.1	1.8 ±0.1	8.0 ±0.2	3.50 ±0.05	4.0 ±0.1	0.7 ±0.1	0.25 ±0.05	φ180 +0/-3	φ60 +1/-0	9.0 ±0.3	11.4 ±1.0
DS1008JS/JN	1.0 ±0.05	1.2 ±0.05	8.0 ±0.2	3.50 ±0.05	4.0 ±0.1	0.45 ±0.05	0.20 ±0.05	φ180 +0/-3	φ60 +1/-0	9.0 ±0.3	11.4 ±1.0

* 1: To indicate product name and other information, place those information on a label, and affix the label on one side of the flange.
2: DSA/DSB535 series reel φ180 available.