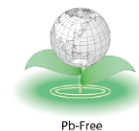


## Features

- Smallest footprint in chip-scale (CSP): 1.5 x 0.8 mm
- Fixed 32.768 kHz
- <+10 ppm frequency tolerance
- Ultra-low power: <+1  $\mu$ A
- Directly interfaces to XTAL inputs
- Supports coin-cell or super-cap battery backup voltages
- Vdd supply range: +1.5V to +3.63V over -40°C to +85°C
- Oscillator output eliminates external load caps
- Internal filtering eliminates external Vdd bypass cap
- NanoDrive™ programmable output swing for lowest power
- Pb-free, RoHS and REACH compliant

## Applications

- Mobile Phones
- Tablets
- Health and Wellness Monitors
- Fitness Watches
- Sport Video Cams
- Wireless Keypads
- Ultra-Small Notebook PC
- Pulse-per-Second (pps) Timekeeping
- RTC Reference Clock
- Battery Management Timekeeping



## Electrical Specifications

**Table 1. Electrical Characteristics**

Parameter	Symbol	Min.	Typ.	Max.	Unit	Condition
<b>Frequency and Stability</b>						
<b>Fixed Output Frequency</b>	F <sub>out</sub>	32.768			kHz	
<b>Frequency Stability</b>						
<b>Frequency Tolerance</b> <sup>[1]</sup>	F <sub>tol</sub>	-	-	10	ppm	T <sub>A</sub> = +25°C, post reflow, Vdd: +1.5V – +3.63V.
		-	-	20	ppm	T <sub>A</sub> = +25°C, post reflow with board-level underfill, Vdd: +1.5V – +3.63V.
<b>Frequency Stability</b> <sup>[2]</sup>	F <sub>stab</sub>	-	-	75	ppm	T <sub>A</sub> = -10°C to +70°C, Vdd: +1.5V – +3.63V.
		-	-	100		T <sub>A</sub> = -40°C to +85°C, Vdd: +1.5V – +3.63V.
		-	-	250		T <sub>A</sub> = -10°C to +70°C, Vdd: +1.2V – +1.5V.
<b>25°C Aging</b>		-1.0	-	+1.0	ppm	1st Year
<b>Supply Voltage and Current Consumption</b>						
<b>Operating Supply Voltage</b>	Vdd	+1.2	-	+3.63	V	T <sub>A</sub> = -10°C to +70°C
		+1.5	-	+3.63		T <sub>A</sub> = -40°C to +85°C
<b>Core Operating Current</b> <sup>[3]</sup>	I <sub>dd</sub>	-	+0.90	-	$\mu$ A	T <sub>A</sub> = +25°C, Vdd: +1.8V. No load
		-	-	+1.3		T <sub>A</sub> = -10°C to +70°C, Vdd max: +3.63V. No load
		-	-	+1.4		T <sub>A</sub> = -40°C to +85°C, Vdd max: +3.63V. No load
<b>Output Stage Operating Current</b> <sup>[3]</sup>	I <sub>dd_out</sub>	-	+0.065	+0.125	$\mu$ A/Vpp	T <sub>A</sub> = -40°C to +85°C, Vdd: +1.5V – +3.63V. No load
<b>Power-Supply Ramp</b>	t <sub>Vdd_Ramp</sub>	-	-	100	ms	Vdd Ramp-up from 0 to 90%, T <sub>A</sub> = -40°C to +85°C
<b>Start-up Time at Power-up</b> <sup>[4]</sup>	t <sub>start</sub>	-	180	300	ms	T <sub>A</sub> = -40°C $\leq$ T <sub>A</sub> $\leq$ +50°C, valid output
		-	-	450		T <sub>A</sub> = +50°C < T <sub>A</sub> $\leq$ +85°C, valid output
<b>Operating Temperature Range</b>						
<b>Commercial Temperature</b>	T <sub>use</sub>	-10	-	+70	°C	
<b>Industrial Temperature</b>		-40	-	+85	°C	

**Notes:**

1. Measured peak-to-peak. Tested with Agilent 53132A frequency counter. Due to the low operating frequency, the gate time must be  $\geq$ 100 ms to ensure an accurate frequency measurement.
2. Measured peak-to-peak. Inclusive of Initial Tolerance at +25°C, and variations over operating temperature, rated power supply voltage and load. Stability is specified for two operating voltage ranges. Stability progressively degrades with supply voltage below +1.5V.
3. Core operating current does not include output driver operating current or load current. To derive total operating current (no load), add core operating current + (+0.065  $\mu$ A/V) \* (output voltage swing).
4. Measured from the time Vdd reaches +1.5V.

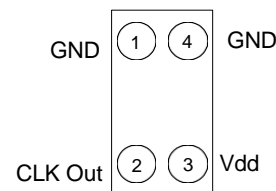
**Table 1. Electrical Characteristics (continued)**

Parameter	Symbol	Min.	Typ.	Max.	Unit	Condition
<b>LVC MOS Output Option, T<sub>A</sub> = -40°C to +85°C, typical values are at T<sub>A</sub> = 25°C</b>						
Output Rise/Fall Time	tr, tf	-	100	200	ns	10-90% (Vdd), 15 pF load, Vdd = +1.5V to +3.63V
		-	-	50		10-90% (Vdd), 5.0 pF load, Vdd ≥ +1.62V
Output Clock Duty Cycle	DC	48	-	52	%	
Output Voltage High	V <sub>OH</sub>	90%	-	-	V	Vdd: +1.5V – +3.63V. I <sub>OH</sub> = -10 μA, 15 pF
Output Voltage Low	V <sub>OL</sub>	-	-	10%	V	Vdd: +1.5V – +3.63V. I <sub>OL</sub> = +10 μA, 15 pF
<b>NanoDrive™ Programmable, Reduced Swing Output</b>						
Output Rise/Fall Time	tf, tf	-	-	200	ns	30-70% (V <sub>OL</sub> /V <sub>OH</sub> ), 10 pF Load
Output Clock Duty Cycle	DC	48	-	52	%	
AC-coupled Programmable Output Swing	V <sub>sw</sub>	-	+0.20 to +0.80	-	V	MO1532 does not internally AC-couple. This output description is intended for a receiver that is AC-coupled. See Table 2 for acceptable NanoDrive swing options. Vdd: +1.5V – +3.63V, 10 pF Load, I <sub>OH</sub> / I <sub>OL</sub> = ±0.2 μA.
DC-Biased Programmable Output Voltage High Range	V <sub>OH</sub>	-	+0.60 to +1.225	-	V	Vdd: +1.5V – +3.63V. I <sub>OH</sub> = -0.2 μA, 10 pF Load. See Table 1 for acceptable V <sub>OH</sub> /V <sub>OL</sub> setting levels.
DC-Biased Programmable Output Voltage Low Range	V <sub>OL</sub>	-	+0.35 to +0.80	-	V	Vdd: +1.5V – +3.63V. I <sub>OL</sub> = +0.2 μA, 10 pF Load. See Table 1 for acceptable V <sub>OH</sub> /V <sub>OL</sub> setting levels.
Programmable Output Voltage Swing Tolerance		-0.055	-	+0.055	V	T <sub>A</sub> = -40°C to +85°C, Vdd = +1.5V to +3.63V.
<b>Jitter</b>						
Period Jitter	T <sub>jitt</sub>	-	35	-	ns <sub>RMS</sub>	Cycles = 10,000, T <sub>A</sub> = +25°C, Vdd = +1.5V – +3.63V

**Table 2. Pin Configuration**

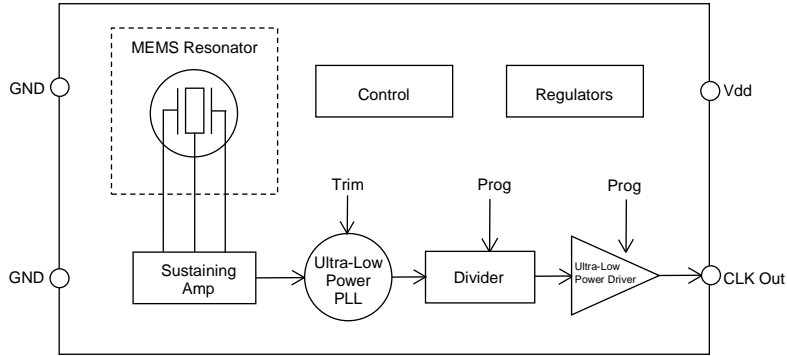
Pin	Symbol	I/O	Functionality
1, 4	GND	Power Supply Ground	Connect to ground. Acceptable to connect pin 1 and 4 together. Both pins must be connected to GND.
2	CLK Out	OUT	Oscillator clock output. The CLK can drive into a Ref CLK input or into an ASIC or chip-set's 32kHz XTAL input. When driving into an ASIC or chip-set oscillator input (X IN and X Out), the CLK Out is typically connected directly to the XTAL IN pin. No need for load capacitors. The output driver is intended to be insensitive to capacitive loading.
3	Vdd	Power Supply	Connect to power supply +1.2V ≤ Vdd ≤ +3.63V. Under normal operating conditions, Vdd does not require external bypass/decoupling capacitor(s). For more information about the internal power-supply filtering, see the <i>Power Supply Noise Immunity</i> section in the detailed description. Contact factory for applications that require a wider operating supply voltage range.

**CSP Package (Top View)**



**Figure 1. Pin Assignments**

**System Block Diagram**



**Figure 2. MO1532 Block Diagram**

**Table 3. Absolute Maximum**

Attempted operation outside the absolute maximum ratings may cause permanent damage to the part. Actual performance of the IC is only guaranteed within the operational specifications, not at absolute maximum ratings.

Parameter	Test Condition	Value	Unit
Continuous Power Supply Voltage Range (Vdd)		-0.5 to +3.63	V
Short Duration Maximum Power Supply Voltage (Vdd)	<30 minutes	+4.0	V
Continuous Maximum Operating Temperature Range	Vdd = +1.5V - +3.63V	+105	°C
Short Duration Maximum Operating Temperature Range	Vdd = +1.5V - +3.63V, ≤30 mins	+125	°C
Human Body Model ESD Protection	JESD22-A114	+3000	V
Charge-Device Model (CDM) ESD Protection	JESD22-C101	+750	V
Machine Model (MM) ESD Protection	JESD22-A115	+300	V
Latch-up Tolerance	JESD78 Compliant		
Mechanical Shock Resistance	Mil 883, Method 2002	10,000	g
Mechanical Vibration Resistance	Mil 883, Method 2007	70	g
1508 CSP Junction Temperature		+150	°C

### Description

The MO1532 is the world's smallest, lowest power 32 kHz oscillator optimized for mobile and other battery-powered applications. KDS's silicon MEMS technology enables the smallest footprint and chip-scale packaging. This device reduces the 32 kHz footprint by as much as 85% compared to existing 2.0 x 1.2 mm SMD XTAL packages. Unlike XTALs, the MO1532 oscillator output enables greater component placement flexibility and eliminates external load capacitors, thus saving additional component count and board space. And unlike standard oscillators, the MO1532 features NanoDrive™, a factory programmable output that reduces the voltage swing to minimize power.

The +1.2V to +3.63V operating supply voltage range makes it an ideal solution for mobile applications that incorporate a low-voltage, battery-back-up source such as a coin-cell or super-cap.

KDS's MEMS oscillators consist of MEMS resonators and a programmable analog circuit. Our MEMS resonators are built with unique MEMS process. A key manufacturing step is Epi-Seal during which the MEMS resonator is annealed with temperatures over +1000°C. Epi-Seal creates an extremely strong, clean, vacuum chamber that encapsulates the MEMS resonator and ensures the best performance and reliability. During Epi-Seal, a poly silicon cap is grown on top of the resonator cavity, which eliminates the need for additional cap wafers or other exotic packaging. As a result, KDS's MEMS resonator die can be used like any other semiconductor die. One unique result of KDS's MEMS process and Epi-Seal manufacturing processes is the capability to integrate KDS's MEMS die with a SOC, ASIC, microprocessor or analog die within a package to eliminate external timing components and provide a highly integrated, smaller, cheaper solution to the customer.

### Frequency Stability

The MO1532 is factory calibrated (trimmed) to guarantee frequency stability to be less than 10 ppm at room temperature and less than 100 ppm over the full -40°C to +85°C temperature range. Unlike quartz crystals that have a classic tuning fork parabola temperature curve with a +25°C turnover point, the MO1532 temperature coefficient is extremely flat across temperature. The device maintains less than 100 ppm frequency stability over the full operating temperature range when the operating voltage is between +1.5 and +3.63V as shown in Figure 2.

Functionality is guaranteed over the +1.2V - +3.63V operating supply voltage range. However, frequency stability degrades below +1.5V and steadily degrades as it approaches the +1.2V minimum supply due to the internal regulator limitations. Between +1.2V and +1.5V, the frequency stability is 250 ppm max over temperature.

When measuring the MO1532 output frequency with a frequency counter, it is important to make sure the counter's gate time is  $\geq 100$ ms. The slow frequency of a 32kHz clock will give false readings with faster gate times.

Contact KDS for applications that require a wider supply voltage range  $>+3.63$ V or lower frequency options as low as 1Hz.

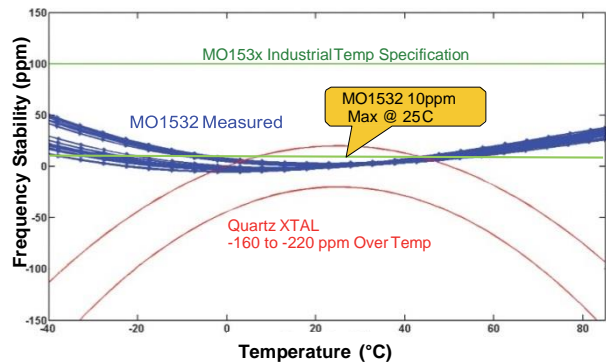


Figure 3. MEMS vs. Quartz

### Power Supply Noise Immunity

In addition to eliminating external output load capacitors common with standard XTALs, The MO1532 includes special internal power supply filtering and thus, eliminates the need for an external V<sub>DD</sub> bypass-decoupling capacitor. This feature further simplifies the design and keeps the footprint as small as possible. Internal power supply filtering is designed to reject greater than  $\pm 150$  mVpp magnitude and frequency components through 10 MHz.

### Output Voltage

The MO1532 has two output voltage options. One option is a standard LVCMOS output swing. The second option is the NanoDrive reduced swing output. Output swing is customer specific and programmed between +200mV and +800mV. For DC-coupled applications, output V<sub>OH</sub> and V<sub>OL</sub> are individually factory programmed to the customers' requirement. V<sub>OH</sub> programming range is between +600 mV and +1.225V in +100 mV increments. Similarly, V<sub>OL</sub> programming range is between +350mV and +800mV. For example; a PMIC or MCU is internally +1.8V logic compatible, and requires a +1.2V V<sub>IH</sub> and a +0.6V V<sub>IL</sub>. Simply select MO1532 NanoDrive factory programming code to be "D14" and the correct output thresholds will match the downstream PMIC or MCU input requirements. Interface logic will vary by manufacturer and we recommend that you review the input voltage requirements for the input interface.

For DC-biased NanoDrive output configuration, the minimum V<sub>OL</sub> is limited to +350mV and the maximum allowable swing (V<sub>OH</sub> - V<sub>OL</sub>) is +750 mV. For example, +1.1V V<sub>OH</sub> and +400 mV V<sub>OL</sub> is acceptable, but +1.2V V<sub>OH</sub> and +400 mV V<sub>OL</sub> is not acceptable.

When the output is interfacing to an XTAL input that is internally AC-coupled, the MO1532 output can be factory programmed to match the input swing requirements. For example, if a PMIC or MCU input is internally AC-coupled and requires an +800 mV swing, then simply choose the MO1532 NanoDrive programming code "AA8" in the part number. It is important to note that the MO1532 does not include internal AC-coupling capacitors. Please see the *Part Number Ordering* section at the end of the datasheet for more information about the part number ordering scheme.

## Power-up

The MO1532 starts-up to a valid output frequency within 300 ms (180 ms typ). To ensure the device starts-up within the specified limit, make sure the power-supply ramps-up in approximately 10 - 20 ms (to within 90% of Vdd). Start-up time is measured from the time Vdd reaches +1.5V. For applications that operate between +1.2V and +1.5V, the start-up time will be typically 50 ms longer over temperature.

## MO1532 NanoDrive™

Figure 3 shows a typical output waveform of the MO1532 (into a 10 pF load) when factory programmed for a +0.70V swing and DC bias (V<sub>OH</sub>/V<sub>OL</sub>) for +1.8V logic:

### Example:

- NanoDrive™ part number coding: D14. Example part number: MO1532IL4-**D14**M-YY-0032768S
- V<sub>OH</sub> = 1.1V, V<sub>OL</sub> = +0.4V (V<sub>-sw</sub> = +0.70V)

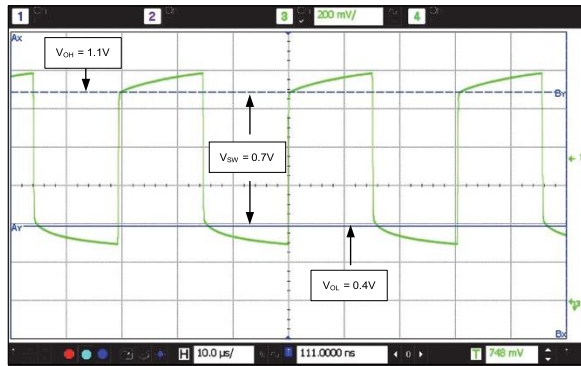


Figure 4. MO1532IL4-D14M-YY-0032768  
Output Waveform (10 pF load)

Table 1 shows the supported NanoDrive™ V<sub>OH</sub>, V<sub>OL</sub> factory programming options.

Table 4. Acceptable V<sub>OH</sub>/V<sub>OL</sub> NanoDrive™ Levels

NanoDrive	V <sub>OH</sub> (V)	V <sub>OL</sub> (V)	Swing (mV)	Comments
D26	+1.2	+0.6	+600 ±55	+1.8V logic compatible
D14	+1.1	+0.4	+700 ±55	+1.8V logic compatible
D74	+0.7	+0.4	+300 ±55	XTAL compatible
AA3	n/a	n/a	+300 ±55	XTAL compatible

The values listed in Table 1 are nominal values at +25°C and will exhibit a tolerance of ±55 mV across Vdd and -40°C to +85°C operating temperature range.

## MO1532 Full Swing LVCMOS Output

The MO1532 can be factory programmed to generate full swing LVCMOS levels. Figure 4 shows the typical waveform (Vdd = +1.8V) at room temperature into a 15 pF load.

### Example:

- LVCMOS output part number coding is always **DCC**
- Example part number: MO1532IL4-**DCC**M-YY-0032768

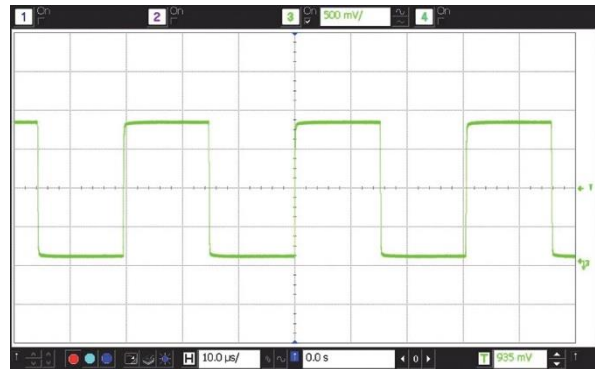


Figure 5. LVCMOS Waveform  
(Vdd = +1.8V) into 15 pF Load

## Calculating Load Current

### No Load Supply Current

When calculating no-load power for the MO1532, the core and output driver components need to be added. Since the output voltage swing can be programmed for reduced swing between +250 mV and +800 mV for ultra-low power applications, the output driver current is variable. Therefore, no-load operating supply current is broken into two sections; core and output driver. The equation is as follows:

Total Supply Current (no load) =  $I_{dd}$  Core + (65nA/V)(Vout<sub>pp</sub>)

#### **Example 1: Full-swing LVCMOS**

- Vdd = +1.8V
- Idd Core = +900nA (typ)
- Vout<sub>pp</sub> = +1.8V

Supply Current = 900nA + (65nA/V)(1.8V) = +1017nA

#### **Example 2: NanoDrive™ Reduced Swing**

- Vdd = +1.8V
- Idd Core = +900nA (typ)
- Vout<sub>pp</sub> (D14) = V<sub>OH</sub> - V<sub>OL</sub> = 1.1V - 0.4V = +700mV Supply

Supply Current = 900nA + (65nA/V)(0.7V) = +946nA

## Total Supply Current with Load

To calculate the total supply current, including the load, follow the equation listed below. Note the 30% reduction in power with NanoDrive™.

Total Current = Idd Core + Idd Output Driver (65nA/V\*Vout<sub>pp</sub>) + Load Current (C\*V\*F)

#### **Example 1: Full-swing LVCMOS**

- Vdd = +1.8V
- Idd Core = +900nA
- Load Capacitance = 10pF
- Idd Output Driver: (65nA/V)(1.8V) = +117nA
- Load Current: (10pF)(1.8V)(32.768kHz) = +590nA
- Total Current = 900nA + 117nA + 590nA = +1.6μA

#### **Example 2: NanoDrive™ Reduced Swing**

- Vdd = +1.8V
- Idd Core = +900nA
- Load Capacitance = 10pF
- Vout<sub>pp</sub> (Programmable): V<sub>OH</sub> - V<sub>OL</sub> = 1.1V - 0.4V = +700mV
- Idd Output Driver: (65nA/V)(0.7V) = +46nA
- Load Current: (10pF)(0.7V)(32.768kHz) = +229nA
- Total Current = 900nA + 46nA + 229nA = +1.175μA

## Typical Operating Curves

(T<sub>A</sub> = +25°C, V<sub>dd</sub> = +1.8V, unless otherwise stated)

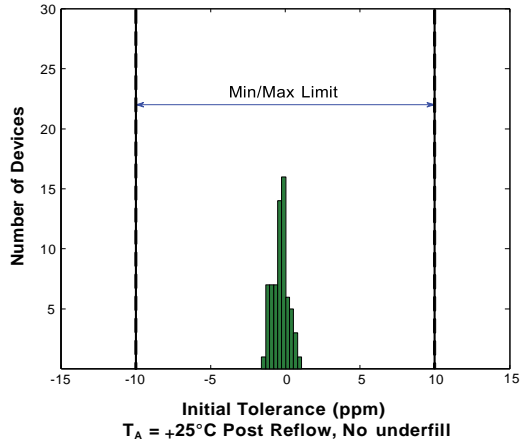


Figure 6. Initial Tolerance Histogram

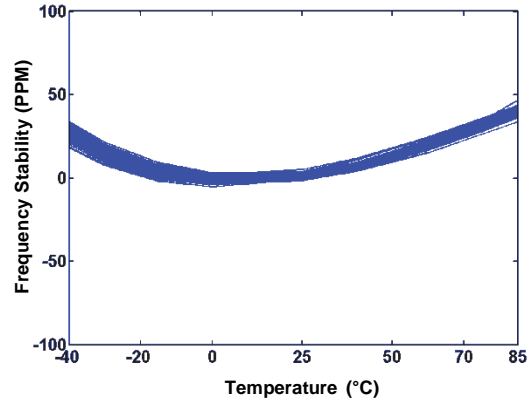


Figure 7. Frequency Stability Over Temperature

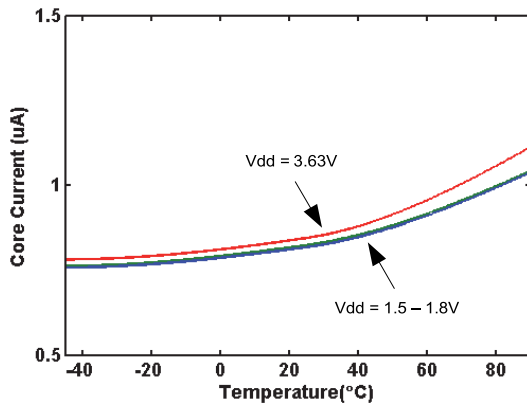


Figure 8. Core Current Over Temperature

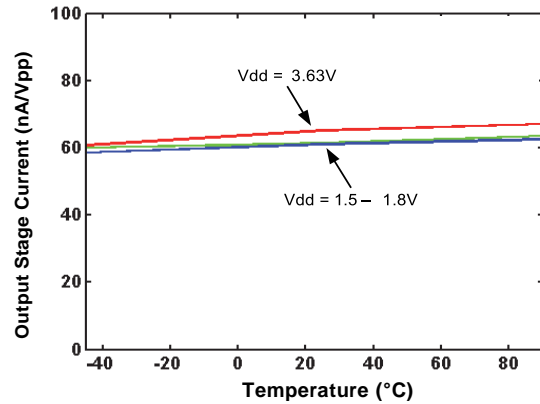


Figure 9. Output Stage Current Over Temperature

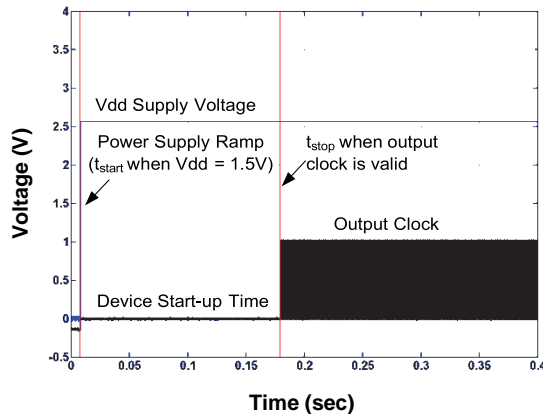


Figure 10. Start-up Time

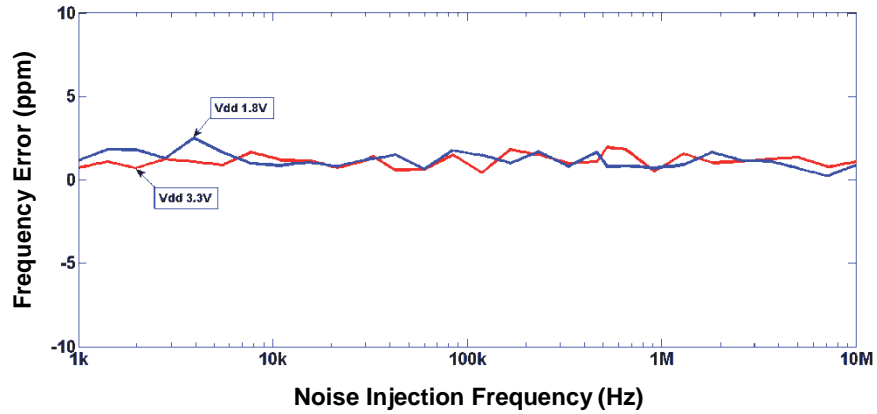


Figure 11. Power Supply Noise Rejection  
(±150mV Noise)

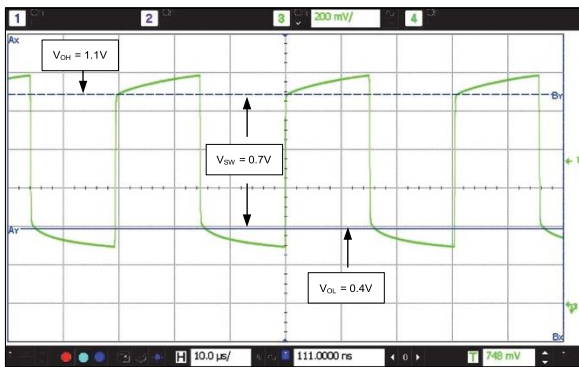


Figure 12. NanoDrive™ Output Waveform  
(V<sub>OH</sub> = +1.1V, V<sub>OL</sub> = +0.4V,  
MO1532IL4-D14M-YY-0032768S)

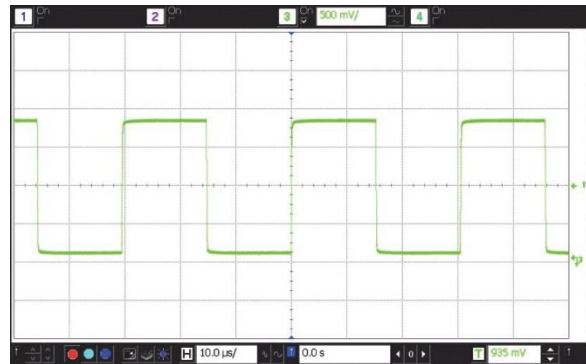
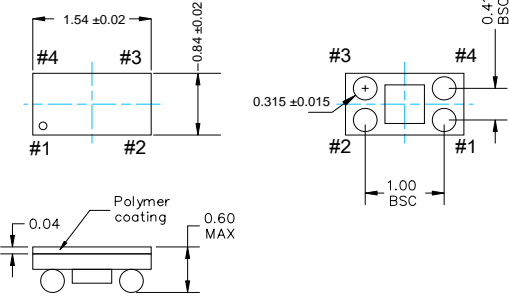
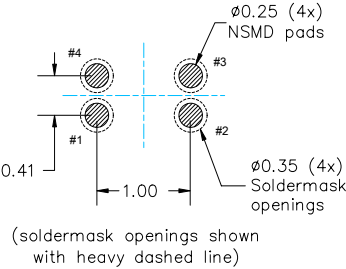


Figure 13. LVC MOS Output Waveform  
(V<sub>swing</sub> = +1.8V,  
MO1532IL4-DCCM-YY-0032768S)



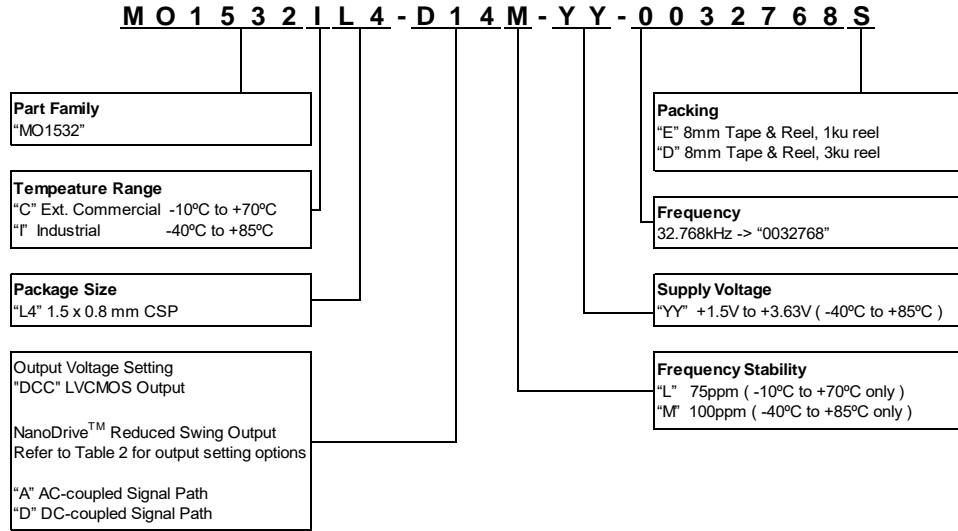
## Dimensions and Patterns

Package Size – Dimensions (Unit: mm)	Recommended Land Pattern (Unit: mm)
<p><b>1.55 x 0.85 mm CSP</b></p> 	 <p>(soldermask openings shown with heavy dashed line)</p> <p>Recommend 4-mil (0.1mm) stencil thickness</p>

## Manufacturing Guidelines

- 1) No Ultrasonic Cleaning: Do not subject the MO1532 to an ultrasonic cleaning environment. Permanent damage or long term reliability issues to the MEMS structure may occur.
- 2) Applying board-level underfill (BLUF) to the device is acceptable, but will cause a shift in the frequency tolerance, as specified in the datasheet electrical table. Tested with UF3810, UF3808, and FP4530 underfill.
- 3) Reflow profile, per JESD22-A113D.
- 4) For additional manufacturing guidelines and marking/tape-reel instructions, contact KDS.

## Ordering Information



The following examples illustrate how to select the appropriate temp range and output voltage requirements:

### Example 1: MO1532IL4-D14M-YY-0032768

- Industrial temp & corresponding 100 ppm frequency stability. Note, 100 ppm is only available for the industrial temp range, and 75 ppm is only available for the commercial temp range.
- Output swing requirements:
  - a) "D" = DC-coupled receiver
  - b) "1" =  $V_{OH} = +1.1V$
  - c) "4" =  $V_{OL} = +400mV$

### Example 2: MO1532CL4-AA3L-YY-0032768

- Commercial temp & corresponding 75 ppm frequency stability. Note, 100 ppm is only available for the industrial temp range, and 75 ppm is only available for the commercial temp range.
- Output swing requirements:
  - a) "A" = AC-coupled receiver
  - b) "A" = AC-coupled receiver
  - c) "3" = +300mV swing

**Table 2. Acceptable  $V_{OH}/V_{OL}$  NanoDrive™ Levels<sup>[5]</sup>**

NanoDrive	$V_{OH}$ (V)	$V_{OL}$ (V)	Swing (mV)	Comments
D26	+1.2	+0.6	+600 ±55	+1.8V logic compatible
D14	+1.1	+0.4	+700 ±55	+1.8V logic compatible
D74	+0.7	+0.4	+300 ±55	XTAL compatible
AA3	n/a	n/a	+300 ±55	XTAL compatible

**Notes:**

5. If these available options do not accommodate your application, contact KDS for other NanoDrive options.

# MO1532

Smallest Footprint (1.2mm<sup>2</sup>) CSP,  
10 ppm Ultra-Low Power 32.768 kHz XTAL Replacement



## Revision History

Version	Release Date	Change Summary
1.0	09/02/14	Rev 0.9 Preliminary to Rev 1.0 Production Release <ul style="list-style-type: none"><li>• Updated start-up time specification</li><li>• Added typical operating plots</li><li>• Separated initial tolerance spec for condition with and without underfill</li><li>• Added Manufacturing Guidelines section</li></ul>
1.1	10/14/14	<ul style="list-style-type: none"><li>• Improved Start-up Time at Power-up spec</li><li>• Added 5pF LVCMOS rise/fall time spec</li></ul>
1.2	11/07/14	<ul style="list-style-type: none"><li>• Updated 5pF LVCMOS rise/fall time spec</li></ul>
1.25	06/03/16	<ul style="list-style-type: none"><li>• Updated NanoDrive section</li><li>• Updated test conditions in the absolute maximum table</li></ul>
1.26	01/16/2018	<ul style="list-style-type: none"><li>• Updated SPL, page layout changes</li></ul>