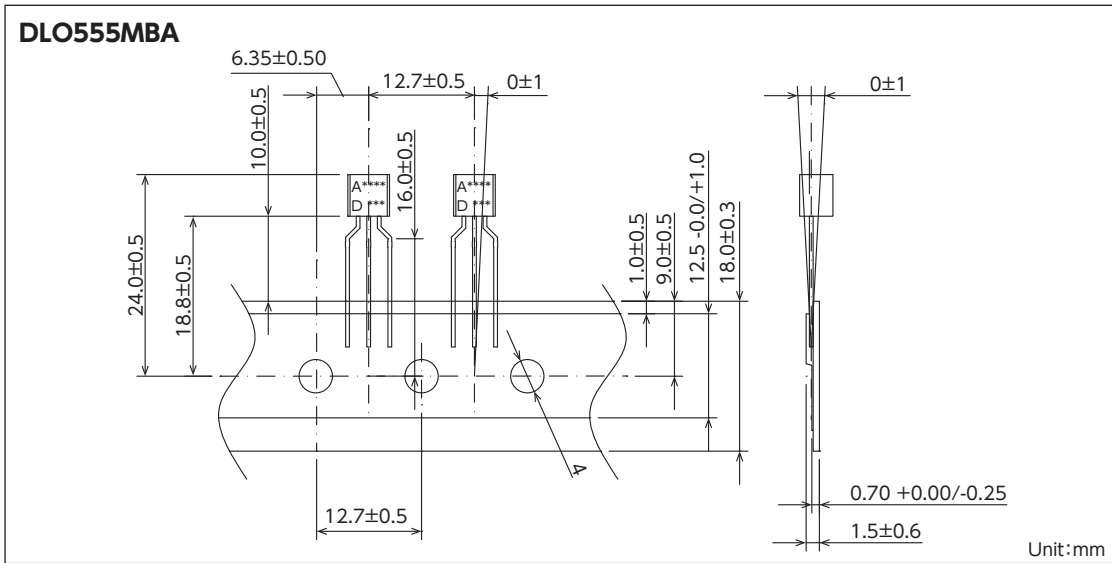
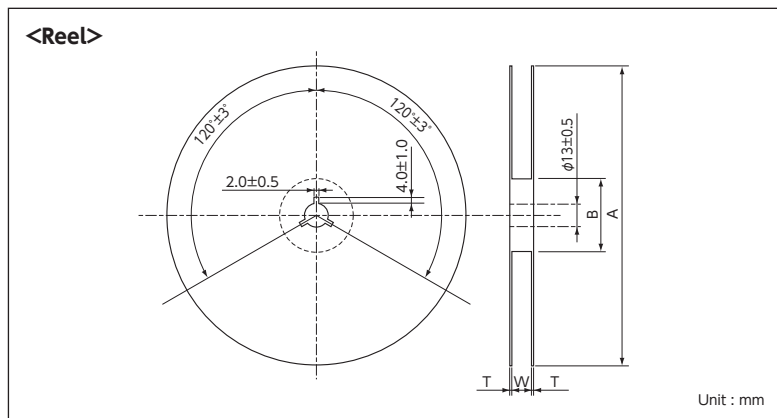
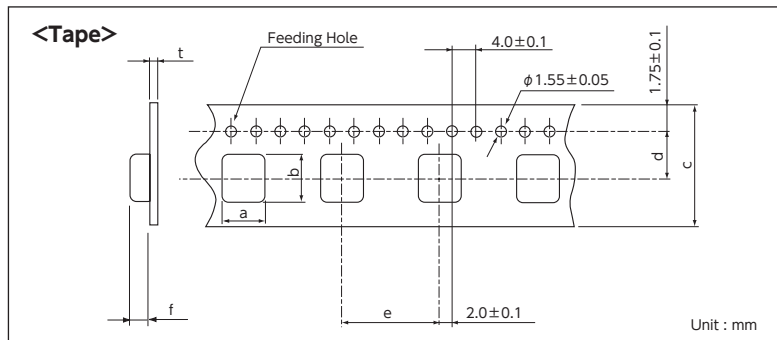


# Radial Tape (Crystal Oscillators)



# Emboss Carrier Tape (SMD Monolithic Crystal Filters)



## Standard Specification

| TYPE           | a           | b           | c            | d            | e           | f           | t             | A          | B            | T           | W            |
|----------------|-------------|-------------|--------------|--------------|-------------|-------------|---------------|------------|--------------|-------------|--------------|
| DSF753S SERIES | 5.6<br>±0.1 | 7.6<br>±0.1 | 16.0<br>±0.3 | 7.5<br>±0.1  | 8.0<br>±0.1 | 1.7<br>±0.1 | 0.30<br>±0.05 | φ178<br>±2 | φ60<br>+1/-0 | 1.2<br>±0.5 | 17.0<br>±0.3 |
| DSF633S SERIES | 4.0<br>±0.1 | 6.5<br>±0.1 | 12.0<br>±0.2 | 5.5<br>±0.05 | 8.0<br>±0.1 | 1.7<br>±0.1 | 0.30<br>±0.05 | φ178<br>±2 | φ60<br>±1/-0 | 1.2<br>±0.5 | 13.0<br>±0.3 |
| DSF444S SERIES | 4.0<br>±0.1 | 4.0<br>±0.1 | 12.0<br>±0.3 | 5.5<br>±0.1  | 8.0<br>±0.1 | 1.5<br>±0.1 | 0.30<br>±0.05 | φ178<br>±2 | φ60<br>±1/-0 | 1.2<br>±0.5 | 13.0<br>±0.3 |
| DSF334S SERIES | 3.2<br>±0.1 | 3.2<br>±0.1 | 8.0<br>±0.2  | 3.5<br>±0.05 | 4.0<br>±0.1 | 1.5<br>±0.1 | 0.25<br>±0.05 | φ178<br>±2 | φ60<br>+1/-0 | 1.2<br>±0.5 | 9.0<br>±0.3  |

※ 1: To indicate product name and other information, place those information on a label, and affix the label on one side of the flange.  
 2: The taping dimensions should be as per JIS C 0806. 1,000 units should be packaged per reel.  
 3: The standard packaged quantity per reel is 2,000 units for DSF334S.